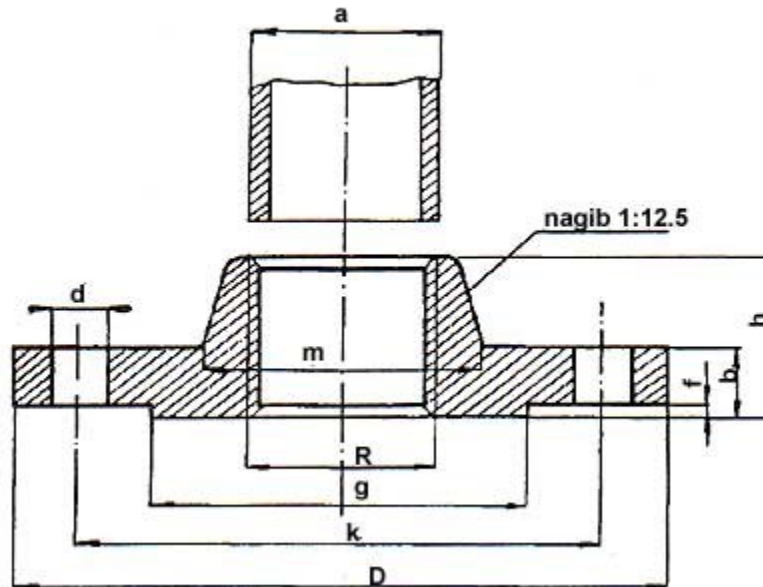


Navojne prirubnice



Nazivni otvor		Cov	Mere prirubnice								Mere vijka			Težina
col	mm	a	R	D	b	h	g	l	k	d	M	n		kp
												NP10	NP16	
1/8"	6	10	R1/8"	75	12	18	32	2	50	11.5	M10	4	4	0.326
1/4"	8	12.25	R1/4"	80	12	18	38	2	55	11.5	M10	4	4	0.338
3/8"	10	16.75	R3/8"	90	14	20	42	2	60	14	M12	4	4	0.544
1/2"	15	21.25	R1/2"	95	14	20	45	2	65	14	M12	4	4	0.613
3/4"	20	26.75	R3/4"	105	16	24	58	2	75	14	M12	4	4	0.910
1"	25	33.5	R1"	115	16	24	68	2	85	14	M12	4	4	1.10
1 1/2"	32	42.25	R1 1/2"	140	16	26	78	2	100	18	M16	4	4	1.50
2"	40	48.25	R2"	150	16	26	88	3	110	18	M16	4	4	1.78
2 1/2"	50	60	R2 1/2"	165	18	28	102	3	125	18	M16	4	4	2.43
3"	65	75.5	R3"	185	18	32	122	3	145	18	M16	4	4	3.18
4"	80	88.25	R4"	200	20	34	138	3	160	18	M16	4	8	4.12
5"	100	113.5	R5"	220	20	38	158	3	180	18	M16	8	8	4.47
6"	125	139	R6"	257	22	40	198	3	210	18	M16	8	8	6.83
8"	150	164.5	R8"	285	22	44	212	3	240	23	M20	8	8	7.92